

# PRODUCT INFORMATION PACKET

Model No: 200L2B3NM

General Purpose IEC Motor, 50 HP, 3 Ph, 50 Hz, 380/660 V, 2965 RPM, Frame 200L, TEFC

# NEWMAN

TRUST IS POWER

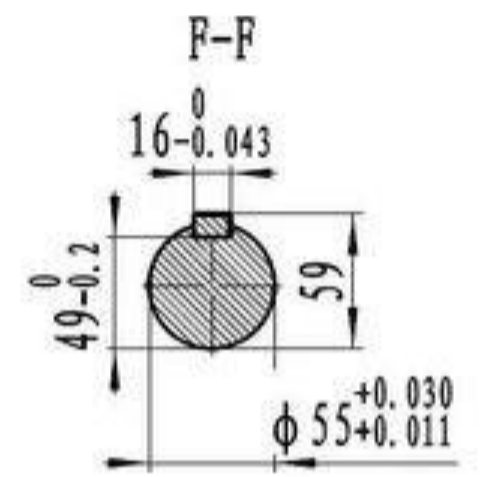
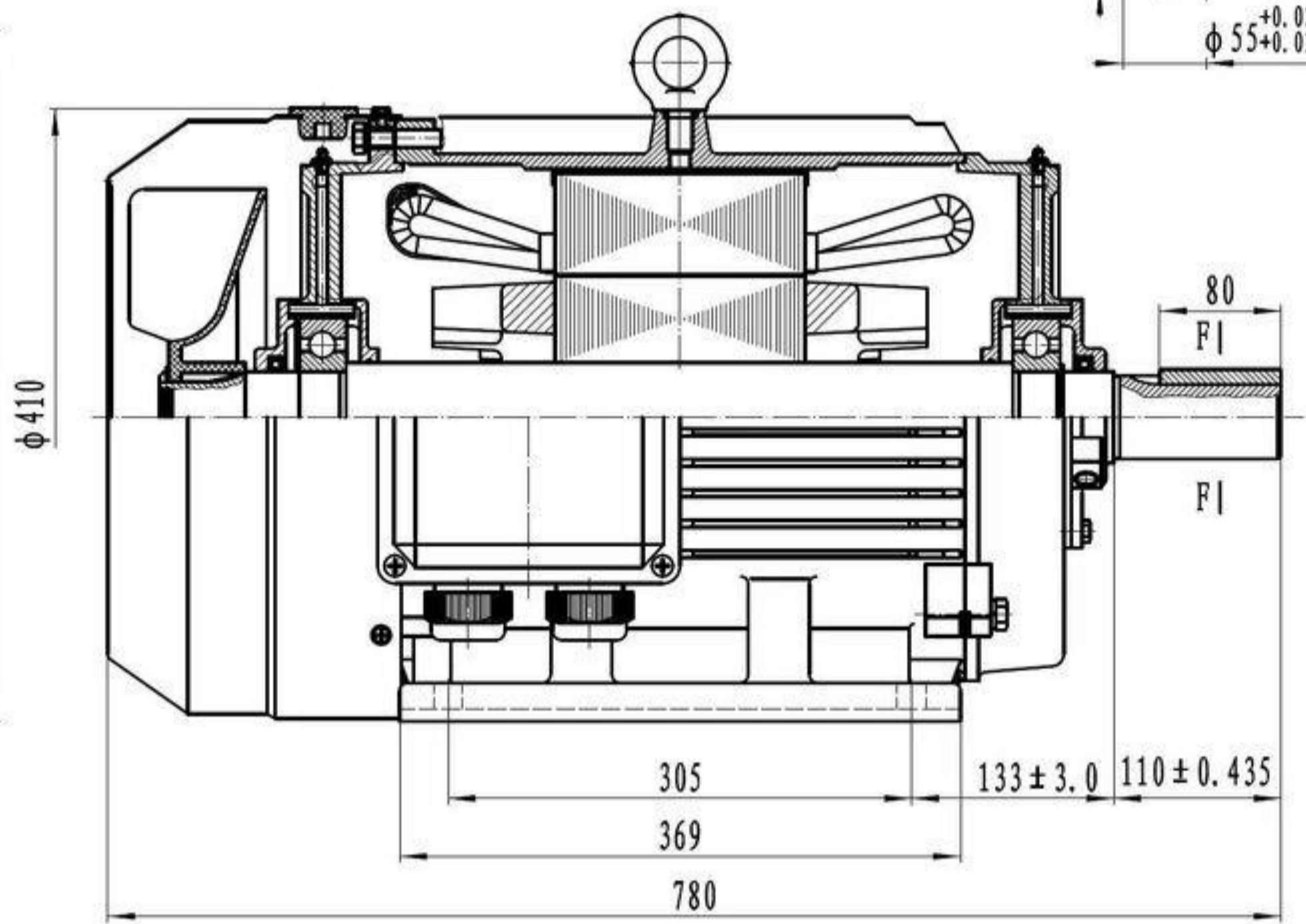
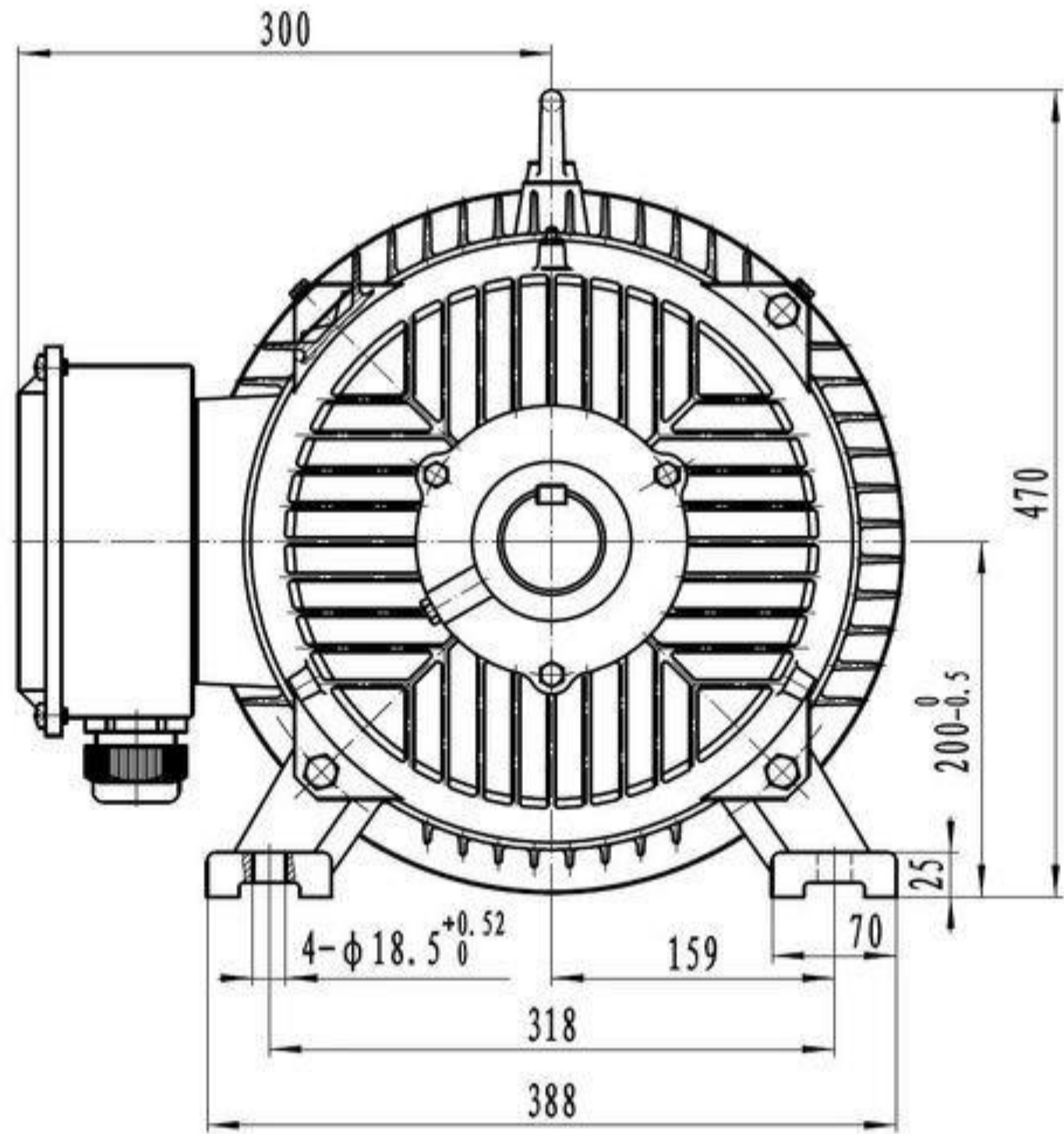


Newman Motors is a trademark of Newman Industrial Company LLC.  
©2023 Newman Motors Company, All Rights Reserved



### Technical Specifications

Output HP	50 Hp	Output KW	37 kW
Frequency	50 Hz	Voltage	380VD / 660VY
Rated Current	68.3 / 39.3 A	Speed	2965 rpm
Service Factor	1.0	Phase	3
Efficiency 100%	92.5 %	Power Factor 100%	0.89
Starting Current	7.5	Number of poles	2
Starting Torque	2.0	Rated Torque	119.2 Nm
Frame Size	200L	Enclosure	Totally Enclosed Fan Cooled
Duty	S1= Continuous	Insulation Class	155 (F) / 130 (B)
Explosion Protection	Without (Standard)	Efficiency Class	IE2
Thermal Protection	Without	Direction of Rotation	Bidirectional
Drive End Bearing Size	6312 C3 RZ	Opp Drive End Bearing Size	6312 C3 RZ
Drive End Bearing	Ball	Opp Drive End Bearing	Ball
Vibration Class	A (Standard)	Terminal Box Position	Terminal Box on Left
Method of Cooling	IC411	Weight	240
Type of Construction	IMB3	RAL Color	9005
Altitude About Sea Level	1000 m	Ambient Temperature	40 °C
Motor Orientation	Horizontal	Paint Class	C2 (Standard)
IP Code	55	Frame Material	Cast Iron
Shaft Diameter	55mm	Overall Length	110mm



		B3 Left Side Box				
CHK D.	DATE			200L2B3NM IP 55		
APP D.	DATE	WEIGHT (KG)	240	SCALE	1:4	
NEWMAN				IM B3		

# Curve Torque (M/NM) vs Slip

200L2B3NM 50 HP, 3 Ph, 50 Hz, 380/660 V, 2965 RPM, Frame 200L, TEFC  
Breakdown Torque: 3.272 - Slip: 0.12 // Rated Torque (NM): 119.2 Nm

