

# PRODUCT INFORMATION PACKET

Model No: 100L4B3NM

General Purpose IEC Motor, 4 HP, 3 Ph, 50 Hz, 220/380 V, 1440 RPM, Frame 100L, TEFC

# NEWMAN

TRUST IS POWER

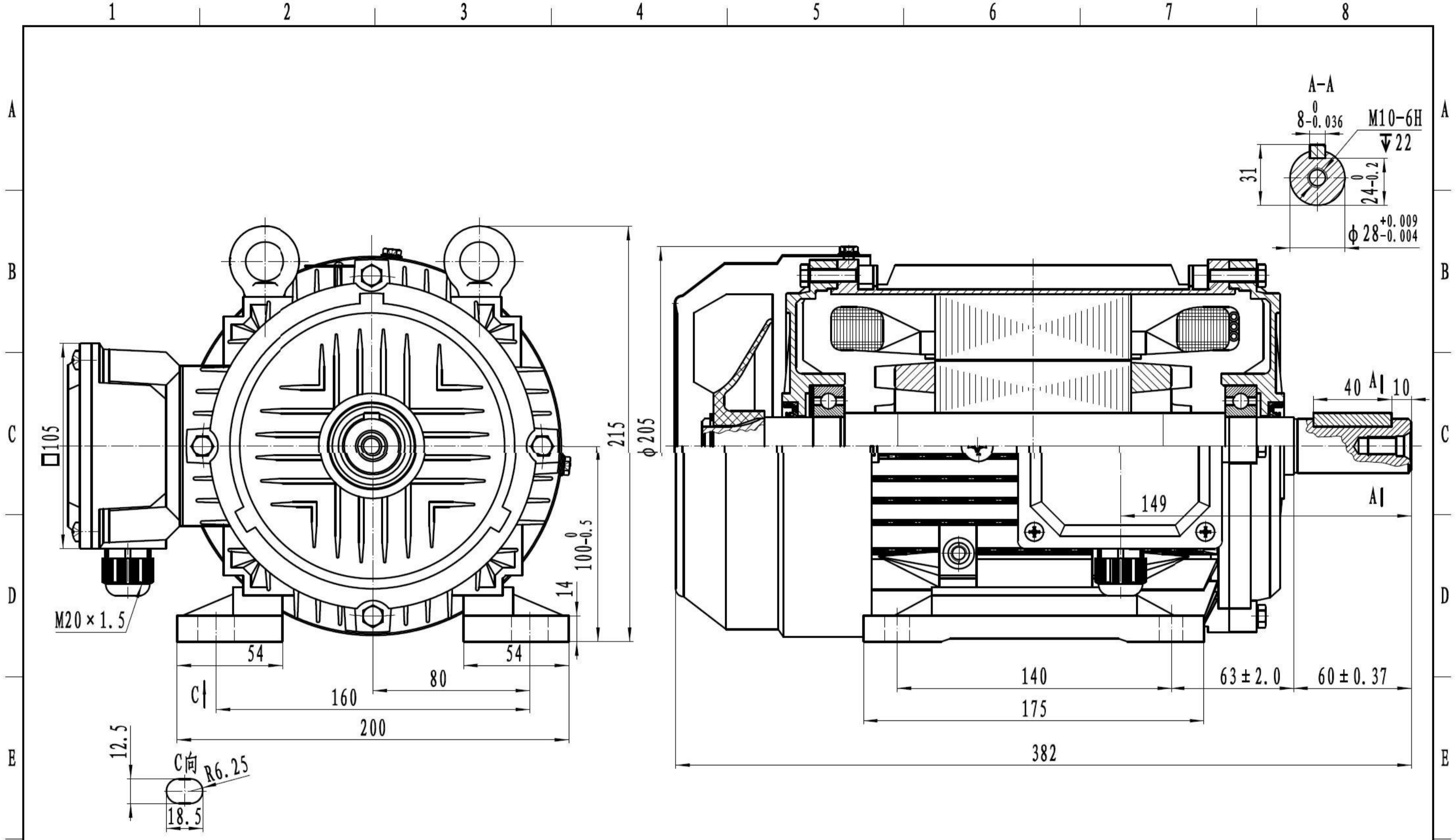


Newman Motors is a trademark of Newman Industrial Company LLC.  
©2023 Newman Motors Company, All Rights Reserved



### Technical Specifications

Output HP	4 Hp	Output KW	3 kW
Frequency	50 Hz	Voltage	220VD / 380VY
Rated Current	11.37 / 6.58 A	Speed	1440 rpm
Service Factor	1.0	Phase	3
Efficiency 100%	85.5 %	Power Factor 100%	0.81
Starting Current	7.5	Number of poles	4
Starting Torque	2.3	Rated Torque	19.9 Nm
Frame Size	100L	Enclosure	Totally Enclosed Fan Cooled
Duty	S1= Continuous	Insulation Class	155 (F) / 130 (B)
Explosion Protection	Without (Standard)	Efficiency Class	IE2
Thermal Protection	Without	Direction of Rotation	Bidirectional
Drive End Bearing Size	6206 C3 2RZ	Opp Drive End Bearing Size	6206 C3 2RZ
Drive End Bearing	Ball	Opp Drive End Bearing	Ball
Vibration Class	A (Standard)	Terminal Box Position	Terminal Box on Left
Method of Cooling	IC411	Weight	23.5
Type of Construction	IMB3	RAL Color	5001
Altitude About Sea Level	1000 m	Ambient Temperature	40 °C
Motor Orientation	Horizontal	Paint Class	C2 (Standard)
IP Code	55	Frame Material	Aluminum
Shaft Diameter	28mm	Overall Length	60mm



				B3 Left Side Box			100L4B3NM IP 55	
CHK D.		DATE		WEIGHT (KG)	23	SCALE	1:1.8	IM B3
APP D.		DATE						

# Curve Torque (M/NM) vs Slip

100L4B3NM 4 HP, 3 Ph, 50 Hz, 220/380 V, 1440 RPM, Frame 100L, TEFC

Breakdown Torque: 3.35 - Slip: 0.46 // Rated Torque (NM): 19.9 Nm

